

# MW50 SERIES

1/2 Horsepower  
2" Solids Handling Sewage Pumps



## THE MYERS MW50 SERIES SEWAGE PUMPS PROVIDE BIG PERFORMANCE IN A SMALL PACKAGE.

The enclosed two-vane impeller provides the flow and head required for residential and light commercial sewage applications, and passes a full 2" diameter solid. The MW50 is constructed of only the highest quality corrosion resistant materials - cast iron, stainless steel and engineered thermoplastics - for many years of service in harsh sewage environment. The MW50 is available in manual models for use with external controls or automatic models with piggy-back mechanical float. For more information, call your Myers distributor or the Myers, Ashland, Ohio, sales office at 419-289-1144.

## ADVANTAGES BY DESIGN

### TWO VANE IMPELLER DESIGN PROVIDES MAXIMUM EFFICIENCY

- Enclosed design for high efficiency pumping.
- Eliminates possibility of jamming between impeller and volute.
- Passes a full 2 inch solid.
- Original performance can be restored if wear occurs by replacing volute seal ring.

## DURABLE MOTOR WILL DELIVER MANY YEARS OF RELIABLE SERVICE

- Oil-filled motor for maximum heat dissipation and continuous bearing lubrication.
- Permanent split capacitor motor eliminates starting switches and relays which are prone to fail.

## THE MW50 IS DESIGNED FOR MANY YEARS OF MAINTENANCE FREE OPERATION

- Positive sealing, quick connect power cord and piggyback float switch make replacement simple if service is ever necessary.
- Field tested, wide angle, mercury-free mechanical float switch provides maximum draw down. (Automatic models only.)

## PRODUCT CAPABILITIES

Capacities To	135 GPM	510 LPM
Heads To	27 ft.	8.23 m
Max. Spherical Solids	2 in.	50.6 mm
Liquids Handling	domestic sewage & drain water	
Intermittent Liquid Temp.	up to 140° F	up to 60° C
Motor Electrical Data	1/2 hp, 1625 rpm PSC (1 Ph), oil-filled 115 volts, 9.0 amps, 1 ph, 60 Hz 230 volts, 4.5 amps, 1 ph, 60 Hz	
Third Party Approvals	UL, CSA	
Acceptable pH Range	5-9	
Specific Gravity	.9-1.1	
Viscosity	28-35 SSU	
Discharge, NPT	2 in.	50.8 mm
Min. Sump Dia. Simplex Duplex	24 in. 36 in.	61cm 91.4 cm

### Construction Materials

Motor Housing	cast iron, Class 30, ASTM A48
Impeller	enclosed, engineered thermoplastic
Impeller Wear Ring	304 SST
Volute	cast iron, Class 30, ASTM A48
Volute Sealing Ring	Buna-N
Power Cord	20 ft. 16/3 SJTW/SJTW-A
Mechanical Shaft Seal	carbon & ceramic
Fasteners	300 Series SST

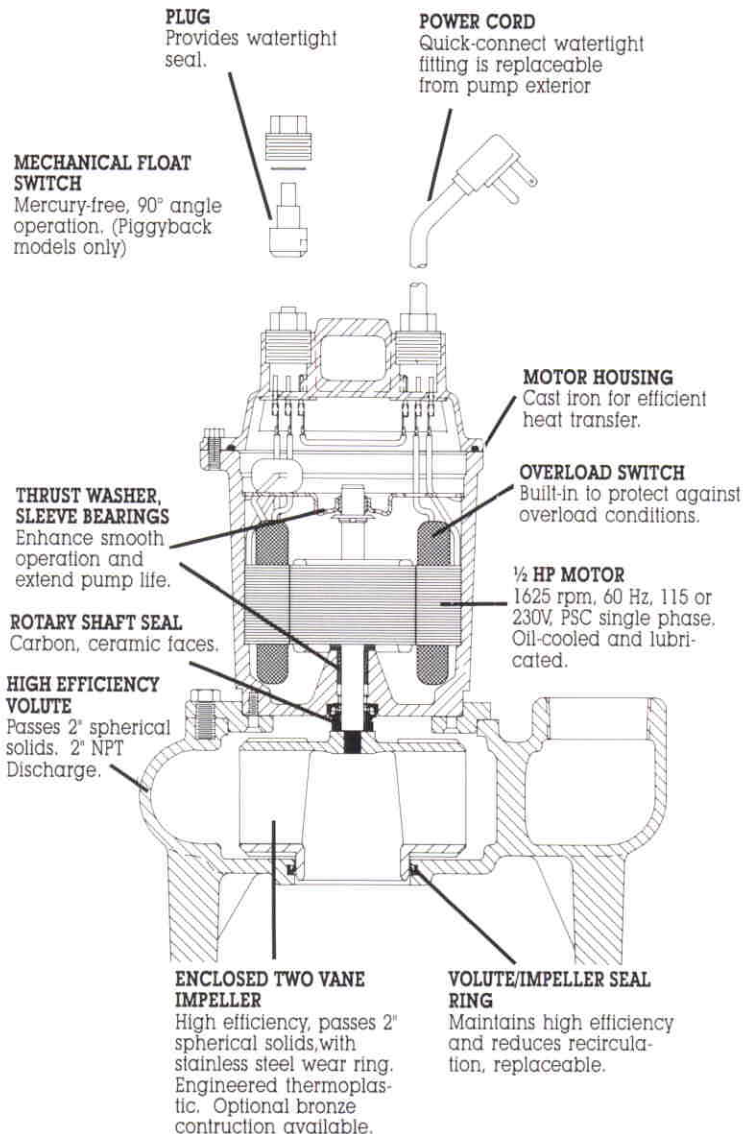
WHERE INNOVATION MEETS TRADITION

**Myers**<sup>®</sup>

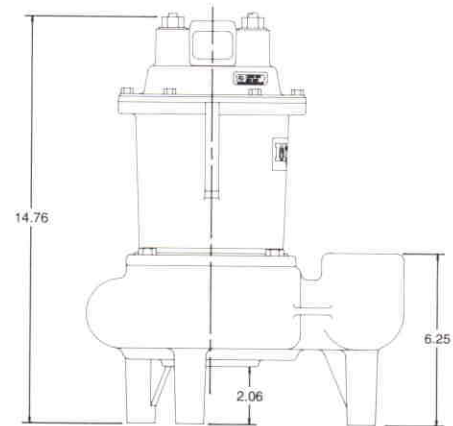
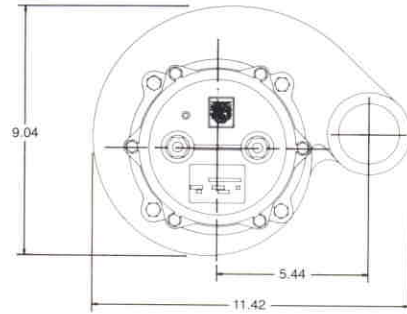
Pentair Pump Group

# MW50 SERIES

½ Horsepower  
2" Solids Handling Sewage Pumps



## DIMENSIONS



## PERFORMANCE CURVE

